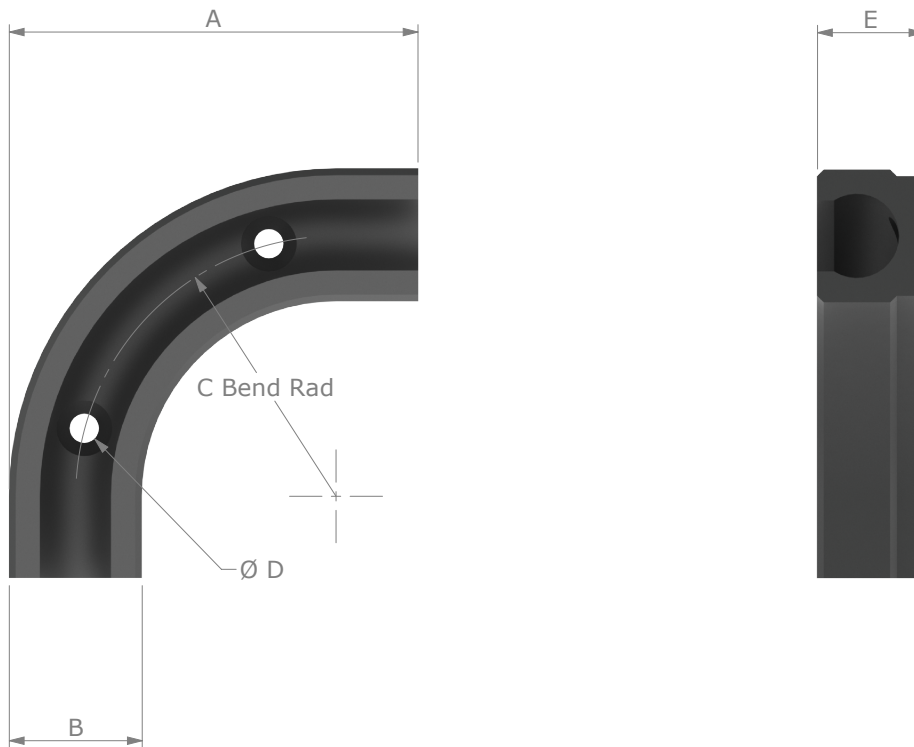


**Flow Bend Clips**

The John Guest range of Flow Bend Clips are designed to support tube and eliminate kinking.



Product Number	Size Tube O/D	A	B	C	D	E
PM2608S	8mm / 5/16"	36.7	12.7	22.2	3.3	10.2
PM2610S	10mm / 3/8"	46.2	15.6	28.9	3.3	12.3
PM2612S	12mm / 1/2"	77.8	17.5	56.0	3.5	14.5

Dimensions in mm

**Technical Information**

**Material** Acetal Copolymer (Unfilled), Dark Grey

**Working Pressures & Temperatures**

Potable Liquids & Air.  
 4mm - 8mm 16 bar at 1°C 16 bar at 20°C 10 bar at 65°C  
 10mm - 22mm 10 bar at 1°C 10 bar at 20°C 7 bar at 65°C

Air  
 4mm - 8mm 16 bar at -20°C  
 10mm - 22mm 10 bar at -20°C

**Applications**

Drinks Dispense ✓  
 Potable Liquid ✓  
 Pneumatics ✓

The Copyright in this drawing and the products referred thereon belong to John Guest International Limited and this drawing nor the information contained herein shall be produced in any form or used for any purpose without written consent © 2020

The company has a policy of continuous research and development and reserves the right to amend without notice the specification and design of all products illustrated. For details of Terms and Conditions and any other technical enquiries, please contact our Customer Services Department on 01895 449233. Alternatively, call our Technical Helpdesk on 01895 423333

200205