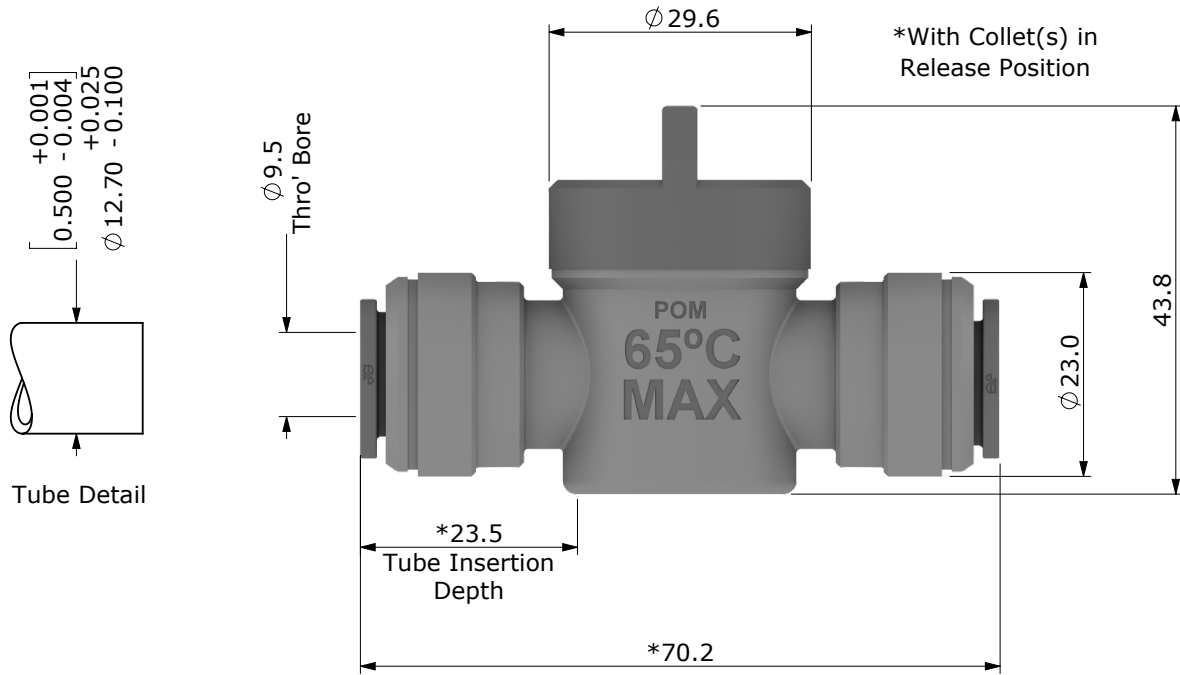


1/2" Shut Off Valve

The John Guest 1/2" Shut Off Valve has been developed to satisfy the compatibility needs for a wide range of applications. They are also suitable for inert gasses as N²/CO².


Product as Supplied

Dimensions in mm

Parts List

Part Description	Material	Part Description	Material
Body	Acetal Copolymer (Unfilled), Light Grey	Retaining Clip	Acetal Copolymer (Unfilled), Black
Caps	Acetal Copolymer (Unfilled), Light Grey	Support Washer	Acetal Copolymer (Unfilled), Light Blue
Collets	Acetal Copolymer (Unfilled), Dark Grey & Stainless Steel	'O' Ring	Nitrile, Black
Actuating Pin	Acetal Copolymer (Unfilled), Natural	Shut Off Plugs	Nitrile, Black

Technical Information

Working Pressures & Temperatures	Applications
Water: 10 Bar at 23 °C 7 Bar at 65 °C Minimum temperature: 1 °C	Drinks Dispense ✓ Pure Water ✓ Pneumatics ✓