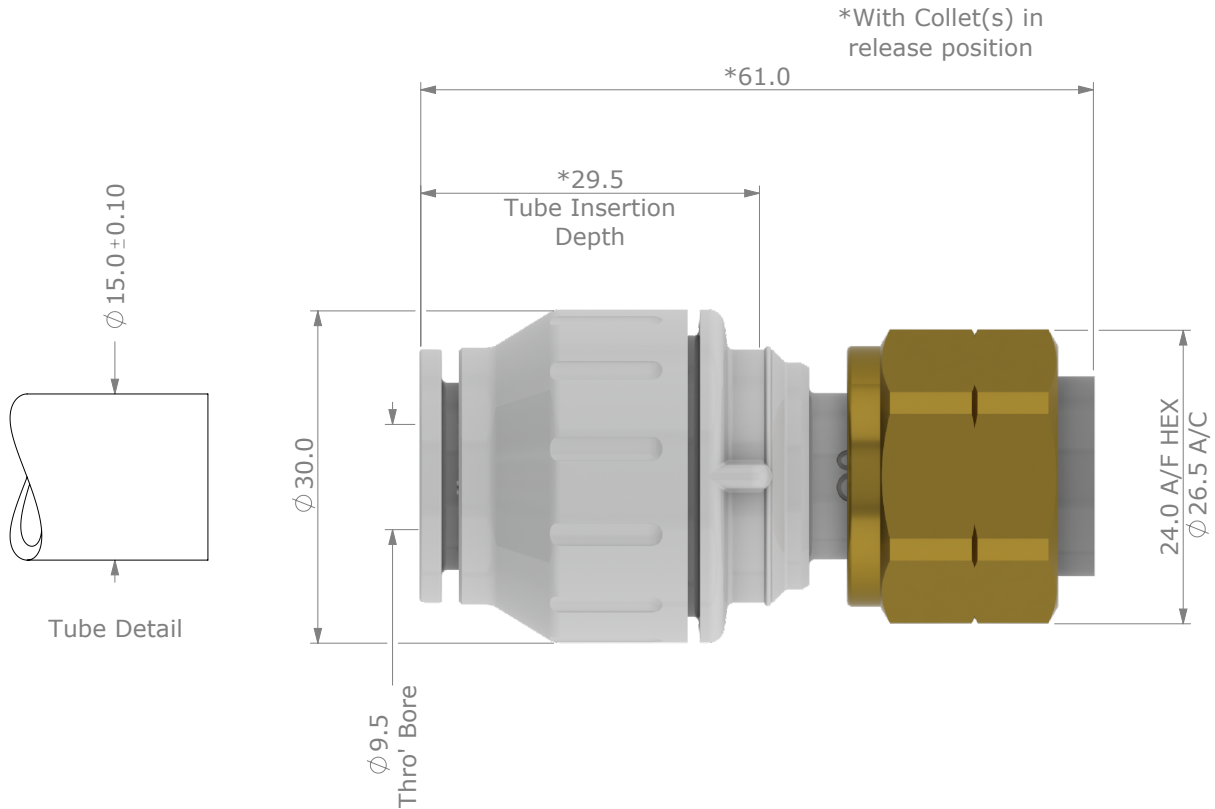


15mm x 1/2 BSP Straight Tap Connector

The John Guest 15mm x 1/2 BSP Straight Tap Connector has been developed to satisfy the requirements of the German plumbing market.



Dimensions in mm

Parts List

Part Description	Material	Part Description	Material
Body	Polyethylene (Cross Linked), White	O' Ring & Seal	Ethylene Propylene (EPDM), Black
Cap	Nylon 6 (Mineral Filled), White	Retaining Ring	Acetal Copolymer (Unfilled), Light Grey
Collet	Acetal Copolymer (Unfilled), White & Stainless Steel	Captive Nut	Brass
Compression Ring	Acetal Copolymer (Unfilled), Dark Grey		

Technical Information

Working Pressures & Temperatures	Applications
Water: 12 Bar at 20 °C 6 Bar at 65 °C 3 Bar at 92 °C Minimum Temperature: 1 °C	Domestic Plumbing ✓ Central Heating ✓